



La Martini

Panache in Specialized Lighting



**STREET &
URBAN LIGHTING**



STREET LIGHTING STREET LIGHTING

Uniform, efficient and safe
Lighting that can blend with
any design requirements.

Street Lighting

				
AEROSTREET CUB	NEXA MICRO	NEXA MIINI	NEXA MIDI	RODEO MIINI
				
RODEO MIDI	RODEO MAXI	RODEO MEGA	THETA -I	AEROSTREET SLEEK

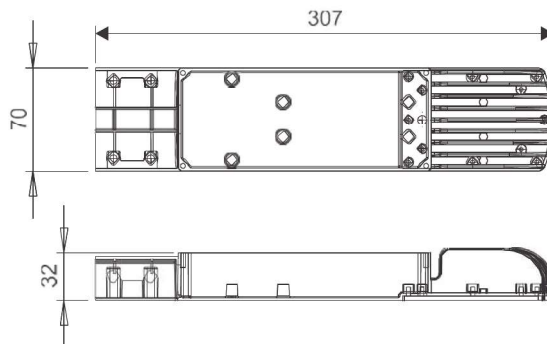


Aerostreet-CUB

IP66 IK08



Energy Label **A++**



LED STREET LIGHT

SPECIFICATION

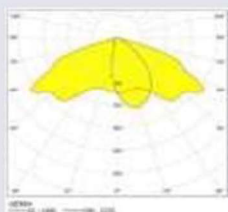
- Housing:** High Pressure die-cast aluminium with Cooling fins
- LEDs :** Power LEDs with high efficacy (>150lm/W), having Luminous Flux maintenance of 70% (L70 B20) at 50,000 Hrs.
- Pole connection:** Suited for pole brackets with outer diameter 30-40mm
- Lens:** High efficiency PMMA with Strada optics — wide Angle 130°x70° - TYPE-1,TYPE-2,TYPE-3.
- Diffuser:** Clear toughened glass 4mm thick, resistant to thermal shock
- Coating:** Polyester resin powder coating, resistant to corrosion and saline environments
- Driver:** Integral Driver with safety diode to protect the LED module against voltage peaks up to 4KV. P.F. >0.95.
- Ambient Temperature Zone:** -30°C to +50°C
- Input Voltage Range:** 100V—280VAC, 50-60 Hz



Application image for reference purpose only

Technical Specifications

SERIES	ITEM CODE	SYSTEM WATTAGE	INPUT CURRENT	DELIVERED LUMENS	THD	PF	SURGE PROTECTION	CRI	IP	DIMENSION (LxWxH)mm
AEROSTREET-CUB	LMSL-0015-757- T2-00	15	0.065	1650	<10%	0.95	4 KV	70	66	307x70x32
AEROSTREET-CUB	LMSL-0020-757- T2-00	20	0.109	2250	<10%	0.95	4 KV	70	66	307x70x32
AEROSTREET-CUB	LMSL-0030-757- T2-00	30	0.131	3300	<10%	0.95	4 KV	70	66	307x70x32

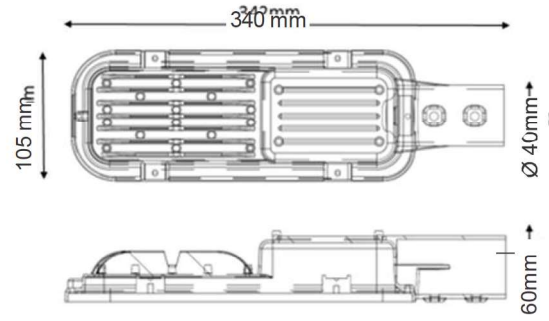


NEXA-Micro

IP66 IK08



Energy Label **A++**



LED STREET LIGHT

SPECIFICATION

Housing: High Pressure die-cast aluminium with Cooling fins

LEDs : Power LEDs with high efficacy (>150lm/W), having Luminous Flux maintenance of 70%(L70 B20) at 50,000 Hrs.

Pole connection: Suited for pole brackets with outer diameter 30-40mm

Lens : High efficiency PMMA with Strada optics — wide Angle 130°x70°- TYPE-1,TYPE-2,TYPE-3.

Diffuser: Clear toughened glass 4mm thick, resistant to thermal shock

Coating: Polyester resin powder coating, resistant to corrosion and saline environments

Driver: Integral Driver with safety diode to protect the LED module against voltage peaks up to 4KV. P.F. >0.95.

Ambient Temperature Zone : -30°C to +50°C

Input Voltage Range: 100V—280VAC, 50-60 Hz



Application image for reference purpose only

Technical Specifications

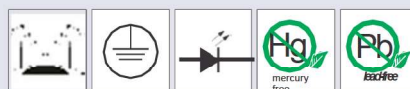
SERIES	ITEM CODE	SYSTEM WATTAGE	INPUT CURRENT	DELIVERED LUMENS	THD	PF	SURGE PROTECTION	CRI	IP	DIMENSION (LxWxH)mm
NEXAMICRO	LMSL-0010-757-T1-00	10	0.043	1000	<10%	0.95	4 KV	70	66	340x105x60
NEXAMICRO	LMSL-0015-757-T1-00	15	0.065	1500	<10%	0.95	4 KV	70	66	340x105x60
NEXAMICRO	LMSL-0025-757-T2-00	25	0.109	2500	<10%	0.95	4 KV	70	66	340x105x60
NEXAMICRO	LMSL-0030-757-T2-00	30	0.131	3000	<10%	0.95	4 KV	70	66	340x105x60



Type-I

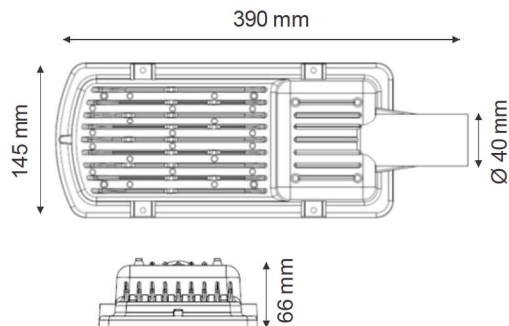
Type-II

Type-III



NEXA-Mini

IP66 IK08



Energy Label **A++**

LED STREET LIGHT

SPECIFICATION

Housing : High pressure die cast aluminium

Top Cover : High pressure die cast aluminium

LEDs : High power LEDs with high efficacy (>150lm/W), 3000K/4000K/5700K having luminous flux maintenance of 70% (L70 B20) at 50,000 Hrs.

Pole connection : Suited for poles with a diameter 55mm.

Lens : High Efficiency PMMA Lenses. TYPE-1,TYPE-2,TYPE-3.

Diffuser : Clear toughened glass 4mm thick, resistant to thermal shock.

Coating: Polyester resin powder coating, resistant to corrosion and saline environments.

Driver: Integral driver with safety diode to protect the LED module against voltage peaks up to 4KV. P.F. > 0.95.

Ambient Temperature Zone : -30 °C to +50°C

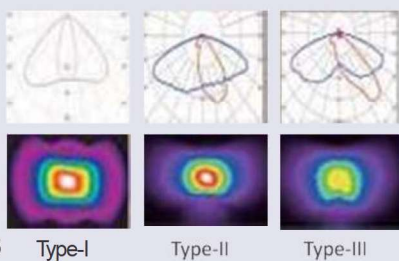
Input Voltage Range : 100V —280V AC, 50-60 Hz



Application image for reference purpose only

Technical Specifications

SERIES	ITEM CODE	SYSTEM WATTAGE	INPUT CURRENT	DELIVERED LUMENS	THD	PF	SURGE PROTECTION	CRI	IP	DIMENSION (LxWxH)mm
NEXA MINI	LMSL-0040-757-T1-00	40	0.175	4000	<10%	0.95	4 KV	70	66	390x145x66
NEXA MINI	LMSL-0045-757-T2-00	45	0.197	4500	<10%	0.95	4 KV	70	66	390x145x66
NEXA MINI	LMSL-0050-757-T3-00	50	0.219	5000	<10%	0.95	4 KV	70	66	390x145x66

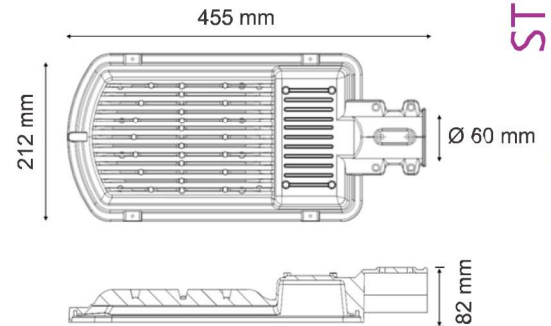


NEXA-Midi

IP66 IK08



Energy Label **A++**



STREET LIGHTING

La Martini

LED STREET LIGHT

SPECIFICATION

Housing : High pressure die-cast aluminium with cooling fins.

LEDs : Power LEDs with high efficacy (>150lm/W), having luminous flux maintenance of 70% (L70 B20) at 50,000 Hrs.

Pole connection: Suited for pole brackets with outer diameter 60mm.

Lens : High efficiency PMMA with Strada optics — wide angle 130° x 70°, TYPE-1,TYPE-2,TYPE-3

Diffuser: Clear toughened glass 4mm thick, resistant to thermal shock

Coating : Polyester resin powder coating, resistant to corrosion and saline environments

Driver : Integral driver with safety diode to protect the LED module against voltage peaks up to 4KV. P.F. > 0.95

Ambient Temperature Zone : -30°C to +50°C

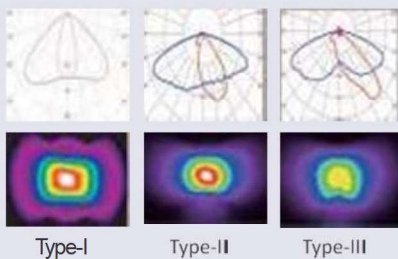
Input Voltage Range : 100V —280V AC, 50-60 Hz



Application image for reference purpose only

Technical Specifications

SERIES	ITEM CODE	SYSTEM WATTAGE	INPUT CURRENT	DELIVERED LUMENS	THD	PF	SURGE PROTECTION	CRI	IP	DIMENSION (LxWxH)mm
NEXA MIDI	LMLS-0060-757-T1-00	60	0.275	6000	<10%	0.95	4 KV	70	66	455X212X82
NEXA MIDI	LMLS-0075-757-T2-00	75	0.315	7500	<10%	0.95	4 KV	70	66	455X212X82
NEXA MIDI	LMLS-0080-757-T3-00	85	0.359	8000	<10%	0.95	4 KV	70	66	455X212X82

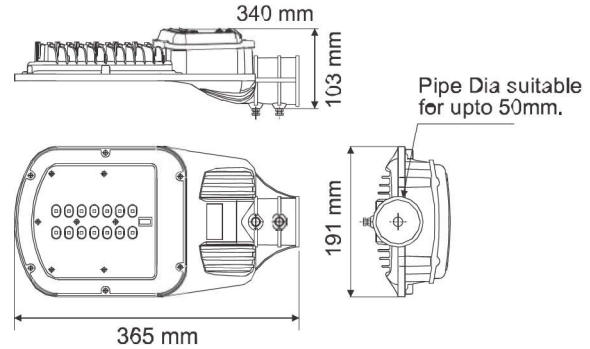


RODEO-Mini

IP66 IK08



Energy Label **A++**



LED STREET LIGHT

SPECIFICATION

Housing : High pressure die cast aluminium

Top Cover : High pressure die cast aluminium

LEDs : High power LEDs with high efficacy (>150lm/W), 3000K /4000K/5700K having luminous flux maintenance of 70% (L70 B20) at 50,000 Hrs.

Pole connection : Suited for poles with a diameter 50 mm

Lens : High efficiency PMMA Lenses. TYPE-1, TYPE-2, TYPE-3

Diffuser: Clear toughened glass 4mm thick, resistant to thermal shock

Coating: Polyester resin powder coating, resistant to corrosion and saline environments

Driver: Integral driver with safety diode to protect the LED module against voltage peaks up to 4KV. P.F. > 0.95

Ambient Temperature Zone : -30 °C to +50°C

Input Voltage Range : 100V —280V AC, 50-60 Hz



Application image for reference purpose only

Technical Specifications

SERIES	ITEM CODE	SYSTEM WATTAGE	INPUT CURRENT	DELIVERED LUMENS	THD	PF	SURGE PROTECTION	CRI	IP	DIMENSION (LxWxH)mm
RODEO MINI	LMSL-0035-757-T1-00	35	0.16	3590	<10%	0.95	4 KV	70	66	365x191x103
RODEO MINI	LMSL-0040-757-T2-00	40	0.185	4068	<10%	0.95	4 KV	70	66	365x191x103
RODEO MINI	LMSL-0045-757-T3-00	45	0.205	4547	<10%	0.95	4 KV	70	66	365x191x103
RODEO MINI	LMSL-0060-757-T4-00	60	0.275	6222	<10%	0.95	4 KV	70	66	365x191x103



8 Type-I

Type-II

Type-III

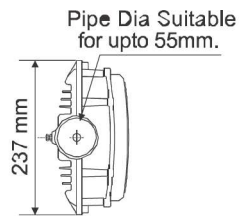
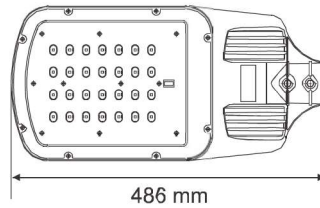
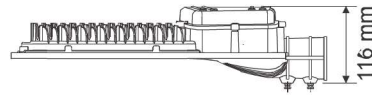


RODEO-Midi

IP66 IK08



Energy Label **A++**



LED STREET LIGHT

SPECIFICATION

Housing : High pressure die cast aluminium

Top Cover : High pressure die cast aluminium

LEDs : High power LEDs with high efficacy (>150lm/W), 3000K/4000K/5700K having luminous flux maintenance of 70%(L70 B20) at 50,000 Hrs.

Pole connection : Suited for poles with a diameter 55mm.

Lens : High Efficiency PMMA Lenses. TYPE-1,TYPE-2,TYPE-3.

Diffuser : Clear toughened glass 4mm thick, resistant to thermal shock.

Coating: Polyester resin powder coating, resistant to corrosion and saline environments.

Driver: Integral driver with safety diode to protect the LED module against voltage peaks up to 4KV. P.F. > 0.95.

Ambient Temperature Zone : -30 °C to +50°C

Input Voltage Range : 100V —280V AC, 50-60 Hz



Application image for reference purpose only

Technical Specifications

SERIES	ITEM CODE	SYSTEM WATTAGE	INPUT CURRENT	DELIVERED LUMENS	THD	PF	SURGE PROTECTION	CRI	IP	DIMENSION (LxWxH)mm
RODEO MIDI	LMSL.0070-757-T1-00	70	0.321	7179	<10%	0.95	4 KV	70	66	486x237x116
RODEO MIDI	LMSL.0090-757-T2-00	90	0.415	9094	<10%	0.95	4 KV	70	66	486x237x116



Type-I

Type-II

Type-III

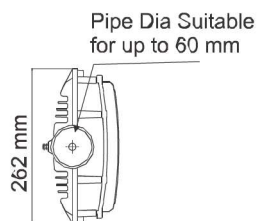
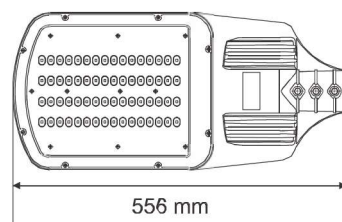
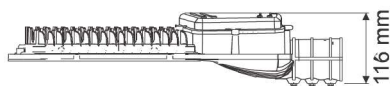


RODEO-Maxi

IP66 IK08



Energy Label **A++**



LED STREET LIGHT

SPECIFICATION

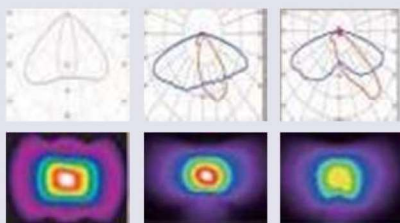
- Housing** : High pressure die cast aluminium
- Top Cover** : High pressure die cast aluminium
- LEDs** : High power LEDs with high efficacy(>150lm/W), 3000K /4000K/5700K having luminous flux maintenance of 70% (L70 B20) at 50,000 Hrs.
- Pole connection** : Suited for poles with a diameter 60 mm.
- Lens** : High Efficiency PMMA Lenses TYPE-1,TYPE-2,TYPE-3
- Diffuser**: Clear toughened glass 4mm thick, resistant to thermal shock.
- Coating**: Polyester resin powder coating, resistant to corrosion and saline environments.
- Driver**: Integral driver with safety diode to protect the LED module against voltage peaks up to 4KV. P.F. > 0.95.
- Ambient Temperature Zone** : -30 °C to +50°C
- Input Voltage Range** : 100V —280V AC, 50-60 Hz



Application image for reference purpose only

Technical Specifications

SERIES	ITEM CODE	SYSTEM WATTAGE	INPUT CURRENT	DELIVERED LUMENS	THD	PF	SURGE PROTECTION	CRI	IP	DIMENSION (LxWxH)mm
RODEO MAXI	LMSL-0100-757-T1-00	100	0.461	10075	<10%	0.95	4 KV	70	66	556x262x116
RODEO MAXI	LMSL-0110-757-T2-00	110	0.505	11009	<10%	0.95	4 KV	70	66	556x262x116
RODEO MAXI	LMSL-0120-757-T3-00	120	0.551	12444	<10%	0.95	4 KV	70	66	556x262x116
RODEO MAXI	LMSL-0150-757-T4-00	150	0.691	15316	<10%	0.95	4 KV	70	66	556x262x116



10 Type-I

Type-II

Type-III

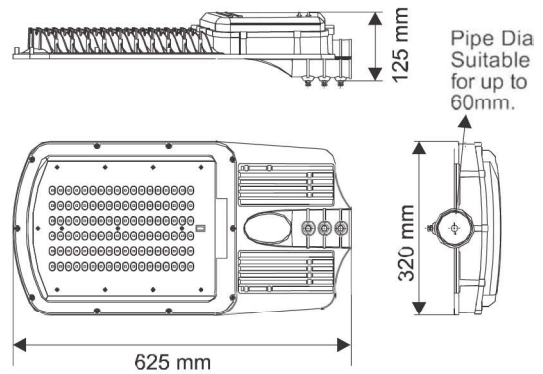


RODEO-Mega

IP66 IK08



Energy Label **A++**



STREET LIGHTING

La Martini

LED STREET LIGHT

SPECIFICATION

Housing : High pressure Die cast aluminium

Top Cover: High pressure Die cast aluminium

LEDs : High power LEDs with high efficacy (>150lm/W), 3000K/4000K/5700K having luminous flux maintenance of 70% (L70 B20) at 50,000 Hrs.

Pole connection : Suited for poles with a diameter 60 mm.

Lens : High Efficiency PMMA Lenses. TYPE-1,TYPE-2,TYPE-3

Diffuser: Clear toughened glass 4mm thick, resistant to thermal shock.

Coating: Polyester resin powder coating, resistant to corrosion and saline environments.

Driver: Integral driver with safety diode to protect the LED module against voltage peaks up to 4KV. P.F. > 0.95.

Ambient Temperature Zone : -30 °C to +50°C

Input Voltage Range : 100V –280V AC, 50-60 Hz



Application image for reference purpose only

Technical Specifications

SERIES	ITEM CODE	SYSTEM WATTAGE	INPUT CURRENT	DELIVERED LUMENS	THD	PF	SURGE PROTECTION	CRI	IP	DIMENSION (LxWxH)mm
RODEO MEGA	LMSL-0160-757-T1-00	160	0.735	16700	<10%	0.95	4 KV	70	66	625x320x125
RODEO MEGA	LMSL-0200-757-T2-00	200	0.92	21000	<10%	0.95	4 KV	70	66	625x320x125
RODEO MEGA	LMSL-0250-757-T3-00	250	1.145	26000	<10%	0.95	4 KV	70	66	625x320x125



Type-I

Type-II

Type-III



THETA-I

IP66 IK08

Energy Label **A++**



LED STREET LIGHT

SPECIFICATION

Housing : High pressure die cast aluminium

Top Cover : High pressure die cast aluminium

LEDs : High power LEDs with high efficacy (>150lm/W), 3000K /4000K/5700K having luminous flux maintenance of 70% (L70 B20) at 50,000 Hrs.

Pole connection : Suited for poles with a diameter 60 - 76mm.

Lens : High Efficiency PMMA Lenses. Street light Type-I/Type-II/Type-III/Type-IV

Diffuser : Clear toughened glass 4mm thick, resistant to thermal shock.

Coating: Polyester resin powder coating, resistant to corrosion and saline environments.

Driver : Integral driver with safety diode to protect the LED module against voltage peaks up to 4KV. P.F. > 0.95.

Ambient Temperature Zone : -30 °C to +50°C

Input Voltage Range : 100V – 280V AC, 50-60 Hz



Technical Specifications

SERIES	ITEM CODE	SYSTEM WATTAGE	INPUT CURRENT	DELIVERED LUMENS	THD	PF	SURGE PROTECTION	CRI	IP	DIMENSION (LxWxH)mm
THETA-I	LMSL-0050-740-TX-00	50	0.219	5250	<10%	0.95	4 KV	70	66	603X406X129
THETA-I	LMSL-0080-740-TX-00	80	0.351	8900	<10%	0.95	4 KV	70	66	603X406X129
THETA-I	LMSL-0100-740-TX-00	150	0.657	17250	<10%	0.95	4 KV	70	66	603X406X129



Type-I Type-II Type-III Type-IV Type-V

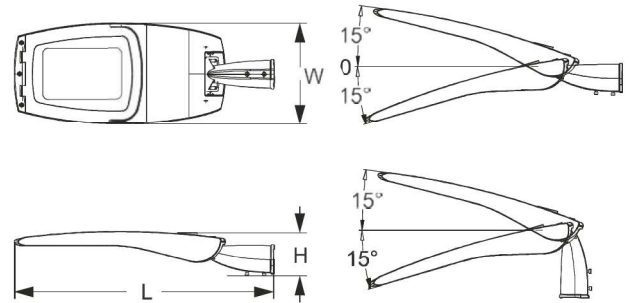


Aerostreet-SLEEK

IP66 IK08



Energy Label **A++**



STREET LIGHTING

La Martini

LED STREET LIGHT

SPECIFICATION

Housing : High pressure die cast aluminium

Top Cover : High pressure die cast aluminium

LEDs : High power LEDs with high efficacy (>150lm/W), 3000K /4000K/5700K having luminous flux maintenance of 70% (L70 B20) at 50,000 Hrs.

Pole connection : Suited for poles with a diameter 60 - 76mm.

Lens : High Efficiency PMMA Lenses. Street light Type-I/Type-II/Type-III/Type-IV

Diffuser: Clear toughened glass 4mm thick, resistant to thermal shock.

Coating: Polyester resin powder coating, resistant to corrosion and saline environments.

Driver: Integral driver with safety diode to protect the LED module against voltage peaks up to 4KV. P.F. > 0.95.

Ambient Temperature Zone: -30 °C to +50°C

Input Voltage Range : 100V —280V AC, 50-60 Hz



Application image for reference purpose only

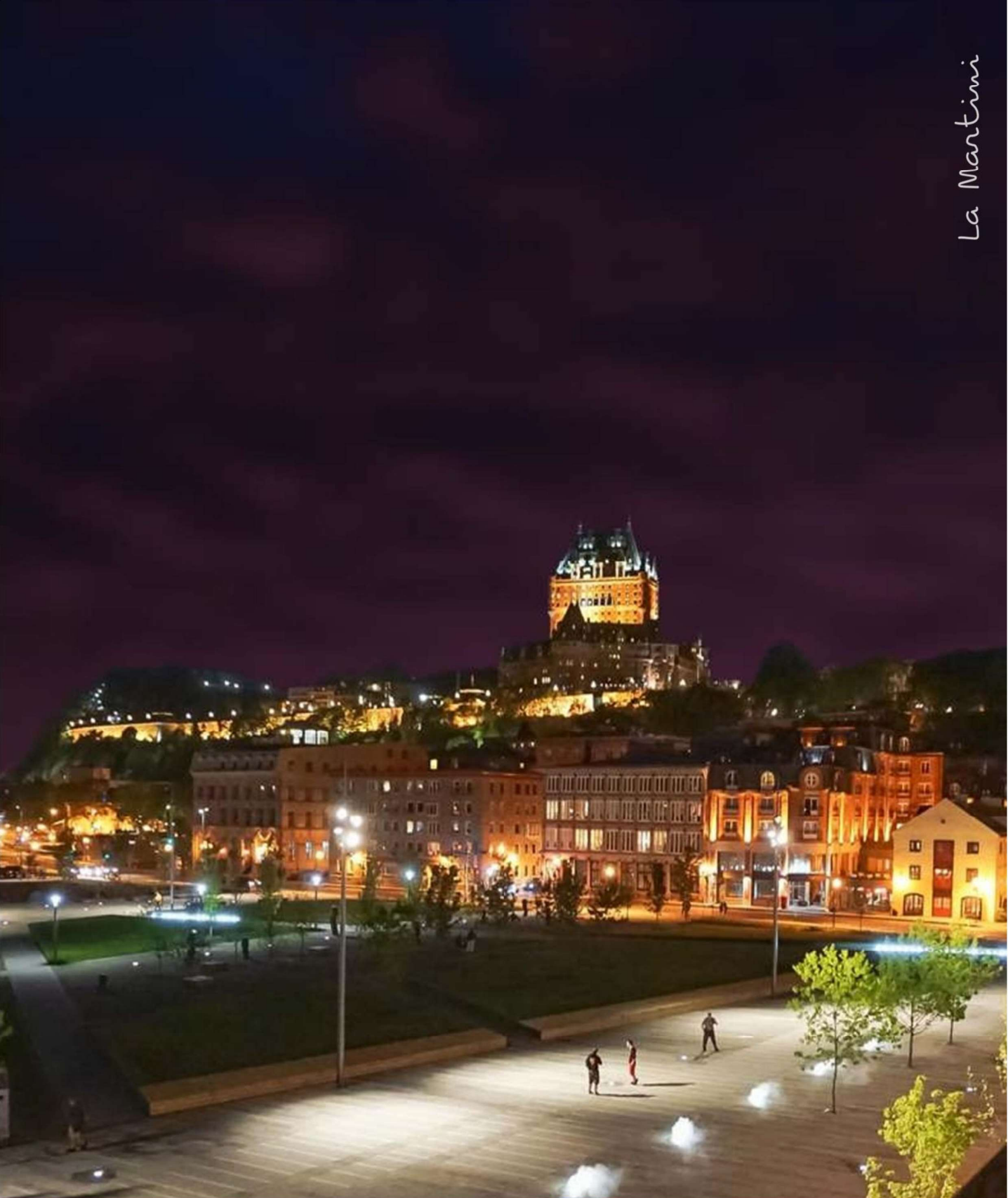
Technical Specifications

SERIES	ITEM CODE	SYSTEM WATTAGE	INPUT CURRENT	DELIVERED LUMENS	THD	PF	SURGE PROTECTION	CRI	IP	DIMENSION (LxWxH)mm
SLEEK	LMSL-0050-757-T2-00	50	0.219	5750	<10%	0.95	4 KV	70	66	641x241x114
SLEEK	LMSL-0100-757-T2-00	100	0.438	11500	<10%	0.95	4 KV	70	66	641x241x114
SLEEK	LMSL-0150-757-T3-00	150	0.657	16500	<10%	0.95	4 KV	70	66	641x241x114



Type-I Type-II Type-III Type-IV Type-V





URBAN LIGHTING УРБАН ЛІЧІНІЕ

Trendy, efficient and
safe lighting for the
Modern Smart Cities.

Urban Lighting





LED POST TOP LIGHT

DESIGN FEATURES

Die cast Aluminium alloy housing
 Polyester powder coating
 Robust, Sleek design with excellent heat dissipation
 Dark sky compliant design with full cut-off optics
 4mm Thick clear toughened bottom sealed glass
 Silicon molded gaskets for IP66 rating
 All Stainless steel - AISI 304 grade hardware

THERMAL MANAGEMENT

Generously designed housing with heat sink attached to housing frame for better heat dissipation

LEDs

- High efficacy (>140lm/W) outdoor illumination grade SMD LEDs, LM80 Certified, LM 80 Certified .
- Low junction thermal resistance for long life and low lumen depreciation
- Luminous flux maintenance 70%, 50,000 Hrs(L70B20)
- High color rendering : CRI - 70/ 80/ 90
- Various CCT : 3000K/ 4000K/ 5700K

ELECTRICAL SYSTEM

- Outdoor rated >90% efficiency constant current drivers with over voltage (440V AC)/Under voltage, Short circuit & open circuit protection 4KV/ 5KV/6KV inbuilt surge protection.
- Low current harmonics : THD <10%
- Low flicker : <3%
- Ambient temperature range : -30°C To +50°C

OPTICAL SYSTEM

- Variety of photometric beam options for Street Lighting, Parking/Public square area lighting
- Structured on High Performance Optical Grade Lenses in PMMA/PC.
- Photometric design data for all optics available.

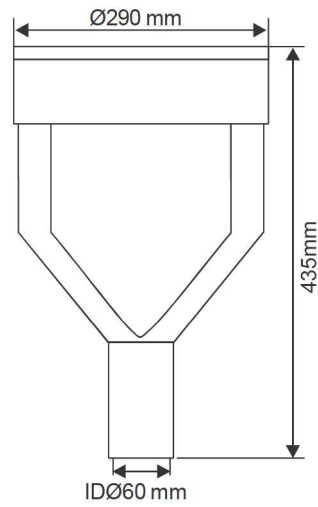
COMPLIANCES – LUMINAIRE

- As per IS 10322 (Part5 / Sec.3) 2012
- IP66, IK08 as per IEC-EN 62262
- **On Request:** Surface coating resistant to Salt spray
- tests pursuant to Standard UNIEN ISO 9227.



KIA-I

IP66 IK08

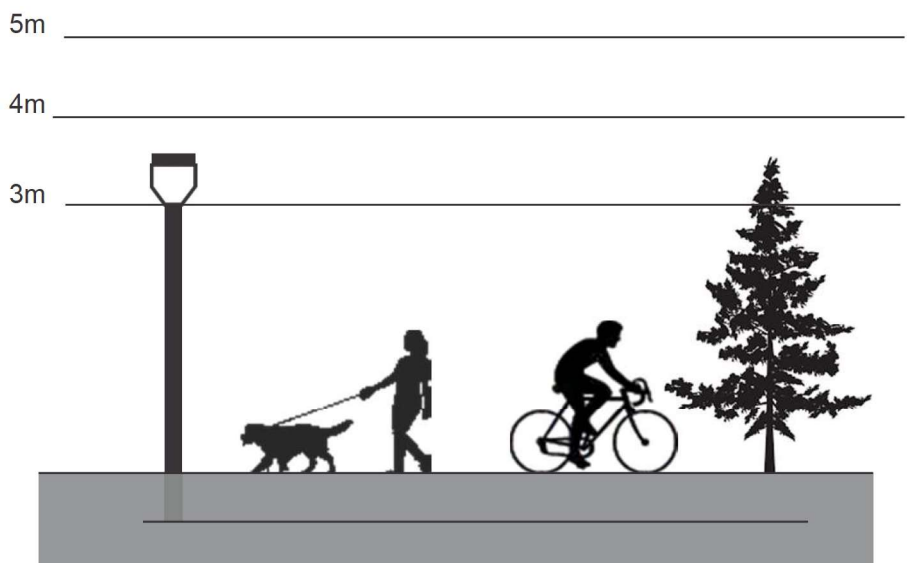


Technical Parameters

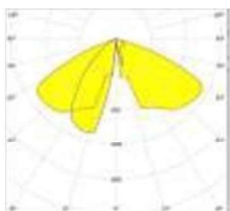
Input AC Voltage	:	140 to 277 VAC
Frequency	:	50 / 60 Hz
Luminous Efficiency	:	>90 Lumens/Watt
CCT (K)	:	3000K/4000K/5700K
Optics	:	High efficiency PMMA lenses Strada optics Type-2 / Type-3

Technical Specifications

SERIES	ITEM CODE	SYSTEM WATTAGE	INPUT CURRENT	DELIVERED LUMENS	LIGHT BEAM	THD	PF	SURGE PROTECTION	CCT	CRI
KIA-I	LMPT-0028-740-T2-00	28	0.132	2700	T2 Strada	<10%	0.95	4 KV	4000K	70
KIA-I	LMPT-0028-730-T3-00	28	0.132	2700	T3 Strada	<10%	0.95	4 KV	3000K	70



25° - 33° Medium Beam



KIA-II

IP66 IK08

Energy Label A++



LED POST TOP LIGHT

DESIGN FEATURES

- Die cast Aluminium alloy housing
- Polyester powder coating
- Robust, Sleek design with excellent heat dissipation
- Dark sky compliant design with full cut-off optics
- 4mm Thick clear toughened bottom sealed glass
- Silicon moulded gaskets for IP66 rating
- All Stainless steel - AISI 304 grade hardware

THERMAL MANAGEMENT

- Generously designed housing with heat sink attached to housing frame for better heat dissipation

LEDs

- High efficiency (>140Lm/W) Outdoor Illumination Grade SMD LEDs, LM80 Certified.
- Low junction thermal resistance for Long Life and Low Lumen depreciation
- Luminous flux maintenance 70%,50,000 Hrs(L70B20)
- High colour rendering :CRI - 70/80/90
- Various CCT: 3000K/ 4000K/ 5700K

ELECTRICAL SYSTEM

- Outdoor rated >90% Efficiency constant current drivers with over voltage (440V AC) /Under voltage, Short circuit & open circuit protection 4KV / 5KV / 6KV inbuilt surge protection.
- Low Current Harmonics : THD < 10%
- Low Flicker : <3%
- Ambient temperature range : -30°C To +50°C

OPTICAL SYSTEM

- Variety of photometric beam options for-Street Lighting, Parking / Public square area lighting
- Structured on high performance optical grade lenses in PMMA/PC.
- Photometric design data for all optics available

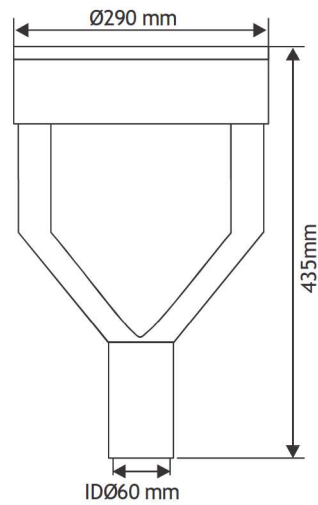
COMPLIANCES - LUMINAIRE

- As per IS 10322 (Part 5 /Sec.3) 2012 IP66, IK08 as per IEC-EN 62262
- **On Request:** Surface coating resistant to Salt spray tests pursuant to Standard UNIEN ISD 9227.



KIA-II

IP66 IK08

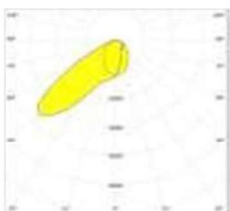
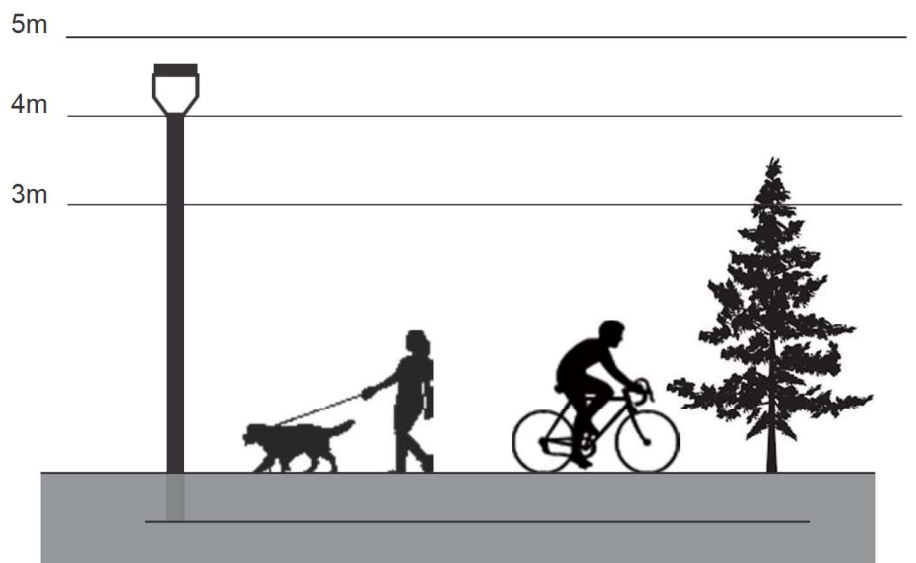


Technical Parameters

- Input AC Voltage : 140 to 277 VAC
- Frequency : 50 / 60 Hz
- Luminous Efficiency : >90 Lumens/Watt
- CCT (K) : 3000K / 4000K / 5700K
- Optics : High efficiency PMMA lenses Strada optics type-2 / Type-3/ Type-4/ Forward Asym / Type 5 Extra Wide

Technical Specifications

SERIES	ITEM CODE	SYSTEM WATTAGE	INPUT CURRENT	DELIVERED LUMENS	LIGHT BEAM	THD	PF	SURGE PROTECTION	CCT	CRI
KIA-II	LMPT-0036-740-T2-00	36	0.158	3250	T2 Strada	<10%	0.95	4 KV	4000K	70
KIA-II	LMPT-0036-740-T4-00	36	0.158	3250	T4 Strada	<10%	0.95	4 KV	4000K	70
KIA-II	LMPT-0036-740-VSM-00	36	0.158	3250	T5 Wide	<10%	0.95	4 KV	4000K	70
KIA-II	LMPT-0036-740-FN-00	36	0.158	3250	Asym FN	<10%	0.95	4 KV	4000K	70



KIA-III

IP66 IK08

Energy Label A++



LED POST TOP LIGHT

DESIGN FEATURES

- Die cast Aluminium alloy housing
- Polyester powder coating
- Robust, Sleek design with excellent heat dissipation
- Dark sky compliant design with full cut-off optics
- 4mm Thick clear toughened bottom sealed glass
- Silicon moulded gaskets for IP66 rating
- All Stainless steel - AISI 304 grade hardware

THERMAL MANAGEMENT

- Generously designed housing with heat sink attached to housing frame for better heat dissipation

LEDs

- High efficiency (>140lm/W) outdoor Illumination grade SMD LEDs, LM80 Certified.
- Low junction thermal resistance for long life and low lumen depreciation
- Luminous flux maintenance 70%,50,000 Hrs(L70B20)
- High color rendering : CRI - 70/80/90
- Various CCT: 3000K/ 4000K/ 5700K

ELECTRICAL SYSTEM

- Outdoor rated >90% efficiency constant current drivers with over voltage (440V AC)/Under voltage, Short circuit & open circuit protection 4KV / 5KV / 6KV inbuilt surge protection.
- Low current harmonics : THD < 10%
- Low flicker : <3%
- Ambient temperature range : -30°C To +50°C

OPTICAL SYSTEM

- Variety of photometric beam options for - Street Lighting, Parking / Public square area lighting
- Structured on high performance optical grade lenses in PMMA/PC
- Photometric design data for all optics available

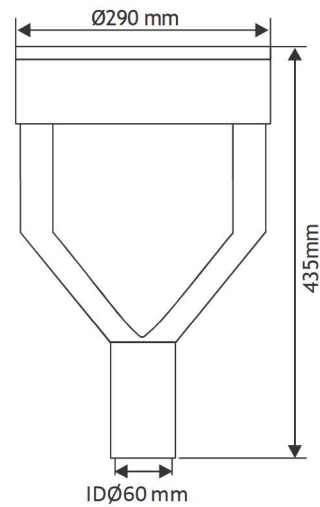
COMPLIANCES - LUMINAIRE

- As per IS 10322 (Part5/Sec.3)2012 IP66, IK08 as per IEC-EN 62262
- **On Request:** Surface coating resistant to Salt spray tests pursuant to Standard UNIEN ISD 9227.



KIA-III

IP66 IK08

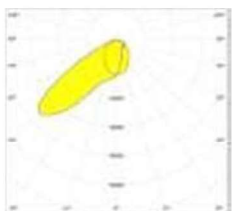
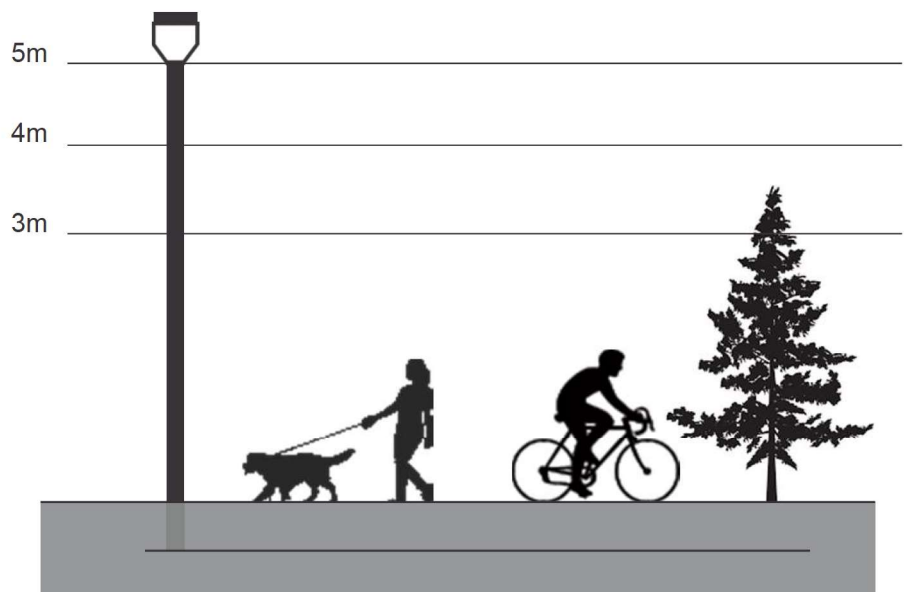


Technical Parameters

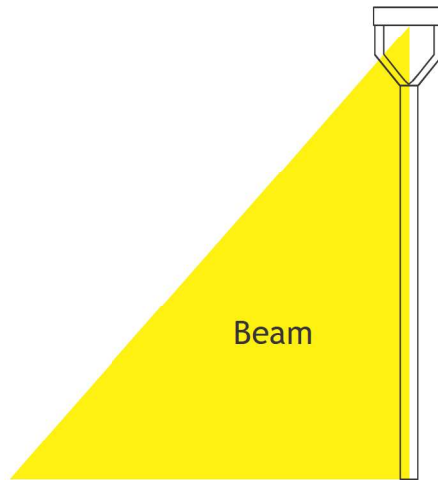
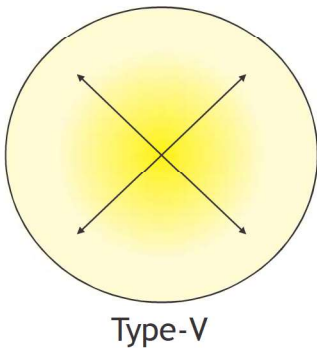
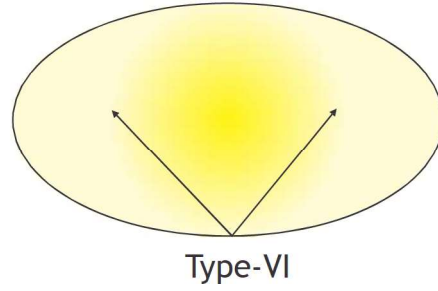
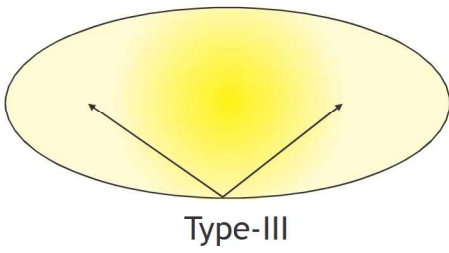
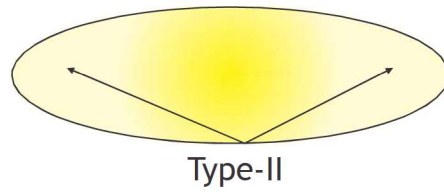
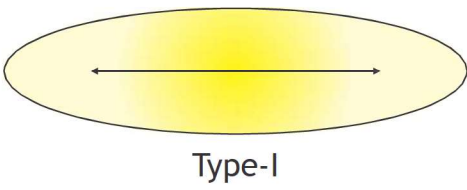
Input AC Voltage	:	140 to 277 VAC
Frequency	:	50 / 60 Hz
Luminous Efficiency	:	>90 Lumens/Watt
CCT (K)	:	3000K / 4000K / 5700K
Optics	:	High Efficiency PMMA lenses Strada optics Type-2 / Type-3/ Type-4/Forward Asym / Type 5 Extra Wide

Technical Specifications

SERIES	ITEM CODE	SYSTEM WATTAGE	INPUT CURRENT	DELIVERED LUMENS	LIGHT BEAM	THD	PF	SURGE PROTECTION	CCT	CRI
KIA-III	LMPT-0052-740-T2-00	52	0.228	4700	T2 Strada	<10%	0.95	4 KV	4000K	70
KIA-III	LMPT-0052-740-T4-00	52	0.228	4700	T4 Strada	<10%	0.95	4 KV	4000K	70
KIA-III	LMPT-0052-740-VSM-00	52	0.228	4700	T5 Wide	<10%	0.95	4 KV	4000K	70
KIA-III	LMPT-0052-740-FN-00	52	0.228	4700	Asym FN	<10%	0.95	4 KV	4000K	70



KIA Beam options



AVAILABLE OPTICS



Roto symmetrical



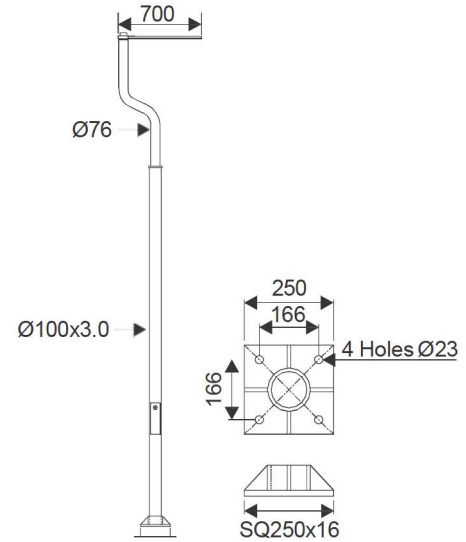
Cycle Route / Pedestrian



Street

HALO

IP66 IK08



Energy Label A++

LED POST TOP LIGHT

SPECIFICATION

Housing : Die-cast aluminium.

LEDs : Mid / High power LEDs with high efficacy(>150lm/W) 3000/4000/5700K, with luminous flux

Maintenance of 70% (L70 B20) at 50,000 Hrs.

Pole Mounting: Suited for poles with a top diameter 60mm

Optics: Opal diffused/Clear PC diffuser with wide angle lenses

Diffuser : Poly carbonate opal diffused/Clear

Coating: Polyester resin powder coating, resistant to corrosion and saline environments.

Driver : Integral with safety diode to protect the LED module against voltage peaks up to 4KV. P.F. > 0.9

Ambient Temperature Zone : -30 °C to +50°C

Input Voltage Range : 100V – 280V AC, 50-60 Hz

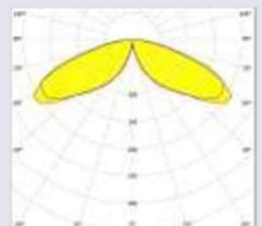
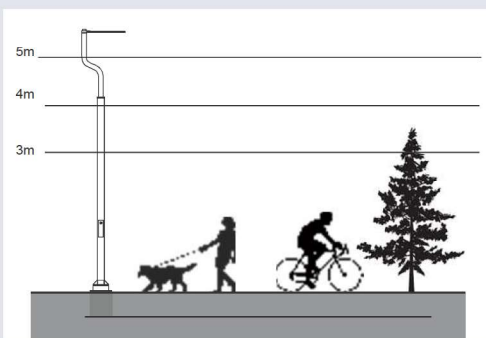
Standards : As per IS 10322 (Part5 / Sec.3) 2012



Application image for reference purpose only

Technical Specifications

SERIES	ITEM CODE	SYSTEM WATTAGE	INPUT CURRENT	DELIVERED LUMENS	LIGHT BEAM	THD	PF	SURGE PROTECTION	CCT	CRI
HALO	LMPT-0060-740-DIFF-00	60	0.263	3250	Diffused	<10%	0.95	4 KV	4000K	70
HALO	LMPT-0060-740-T5-00	60	0.263	5400	T5 STD	<10%	0.95	4 KV	4000K	70



BARRIO

IP66 IK08

Energy Label A++



LED POST TOP LIGHT

DESIGN FEATURES

- Die Cast Aluminium alloy housing
- Top cover reinforced thermoplastic.
- Diffuser made of Clear/Opal PMMA
- Direct downward lighting from LEDs mounted on heat sink at the top
- Silicon Molded gaskets for IP66 rating
- All Stainless steel - AISI 304 grade hardware

THERMAL MANAGEMENT

- LED MCPCB provided on large circular aluminium heat sink centrally attached to ho using bottom pole mounted spigot for better heat dissipation

LEDs

- High efficacy illumination (>150lm/W) outdoor grade SMD LEDs, LM 80 Certified .
- Low junction thermal resistance for long life and low lumen depreciation
- Luminous flux maintenance 70%, 50,000 Hrs (L70B20)
- High colour rendering : CRI - 70/ 80/ 90
- Various CCT : 3000K/ 4000K/ 5700K

ELECTRICAL SYSTEM

- Outdoor rated >90% efficiency constant current drivers with over voltage (440V AC)/ Under voltage, Short circuit & open circuit protection
- 4KV / 5KV / 6KV inbuilt surge protection. Low current harmonics : THD < 10%
- Low flicker : <3%
- Ambient temperature range : -30°C To +50°C

OPTICAL SYSTEM

- Variety of photometric beam options for Public parks, Campuses, Car parking areas
- Structured on high performance optical grade lenses in PMMA/PC or opal diffuser
- Photometric design data for all optics available

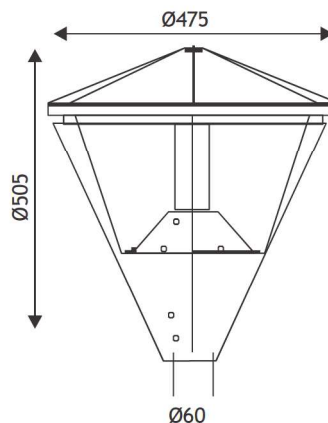
COMPLIANCES - LUMINAIRE

- As per IS 10322 (Part5 / Sec.3) 2012 IP66, IK08 as per IEC-EN 62262
- **On Request:** Surface coating resistant to Salt Spray tests pursuant to Standard UNIEN ISD 9227.



BARRIO

IP66 IK08

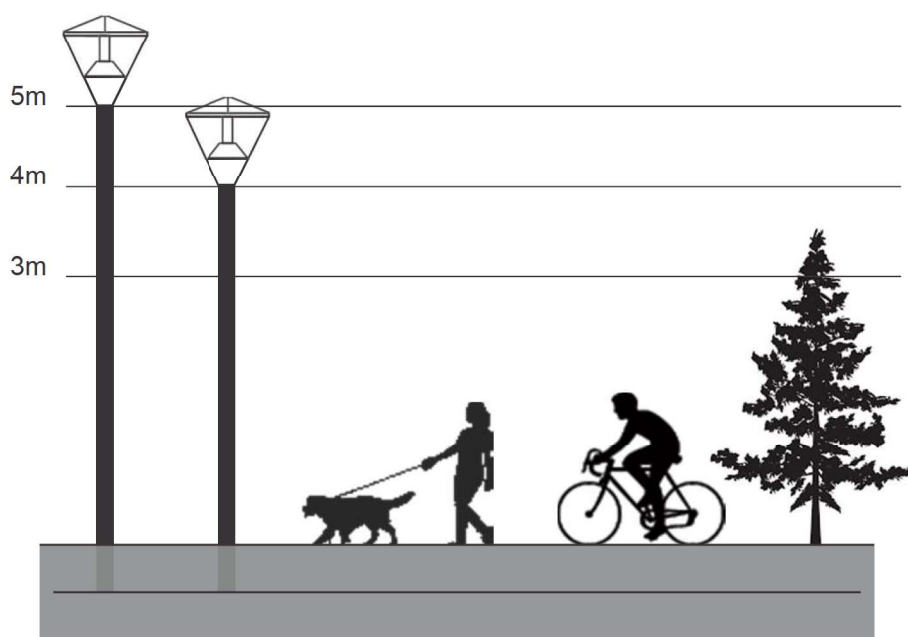
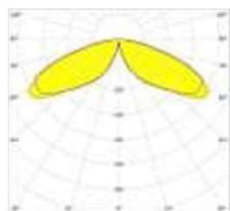


Technical Parameters

Input AC Voltage	: 140 to 277 VAC
Frequency	: 50 / 60 Hz
Luminous Efficiency	: >90 Lumens / Watt
CCT (K)	: 3000K / 4000K / 5700K
Optics	: High Efficiency PMMA lenses with Clear or Opal diffuser

Technical Specifications

SERIES	ITEM CODE	SYSTEM WATTAGE	INPUT CURRENT	DELIVERED LUMENS	LIGHT BEAM	THD	PF	SURGE PROTECTION	CCT	CRI
BARRIO-CL	LMPT-0036-740-VSM-00	36	0.158	3250	T5 Wide	<10%	0.95	4 KV	4000K	70
BARRIO-CL	LMPT-0060-740-DNW-00	60	0.263	5400	T5 STD	<10%	0.95	4 KV	4000K	70
BARRIO-OPL	LMPT-0036-740-DIFF-00	36	0.158	1800	Diffused	<10%	0.95	4 KV	4000K	70
BARRIO-OPL	LMT-0060-740-DIFF-00	60	0.263	3000	Diffused	<10%	0.95	4 KV	4000K	70



QUBIK POLES

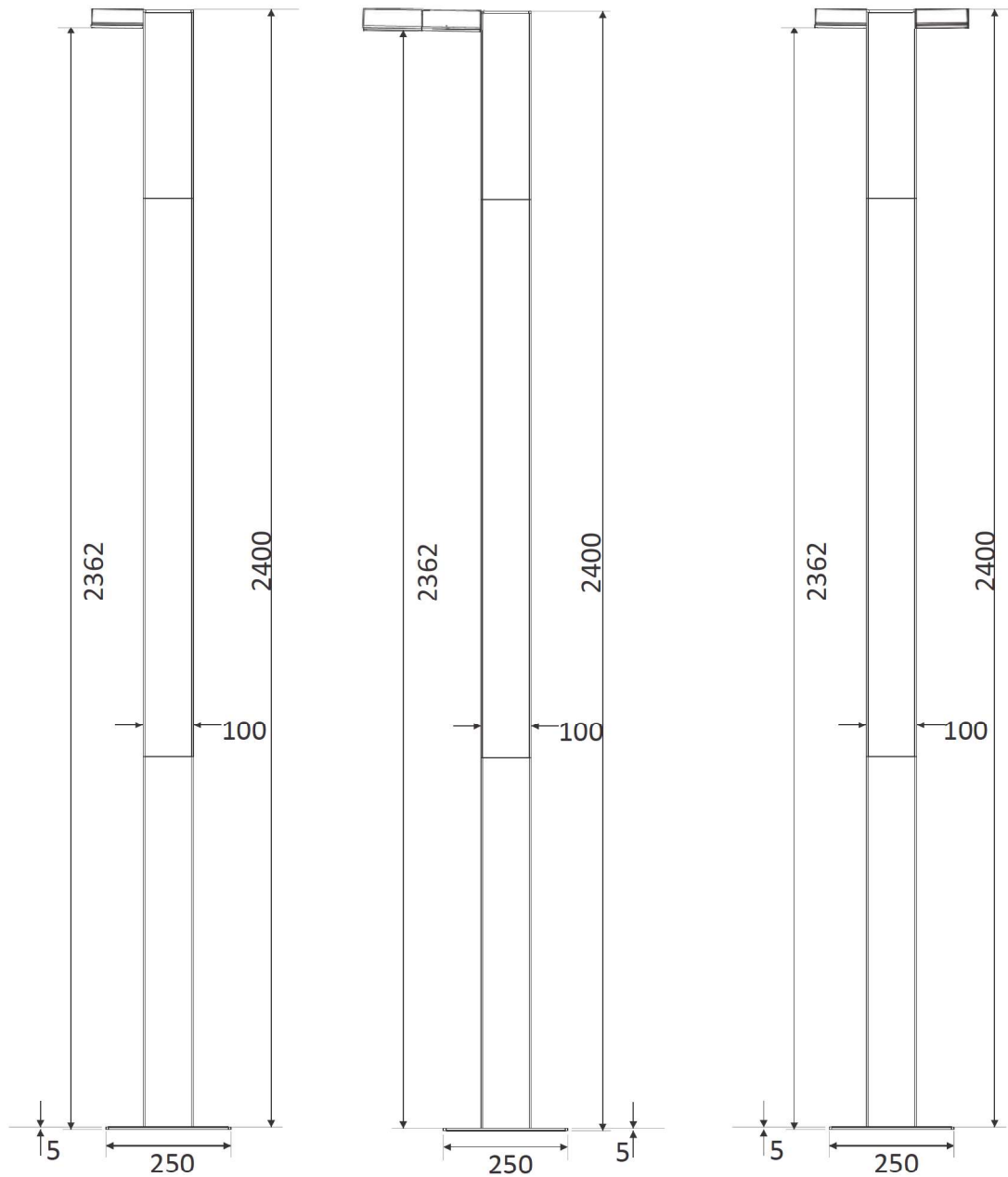


LED ARCHITECTURAL POLE LIGHT

DESIGN FEATURES

- Square cross section SS 316L 3mm
+ Solid Teak wood Pole
- Suited for One/Two side Qubik Street Light
- Qubik Drivers Housed inside the pole top, accessible through top cover
- External SPD and MCB placed inside cable termination cum junction compartment in the bottom portion of the pole, accessible through inspection window
- Base plate fixing on pedestal foundation using 4 Nos. M 12x35 mm SS Bolts and Nuts
- All Stainless Steel-AISI 304 Grade Hardware

QUBIK POLES



Technical Specifications

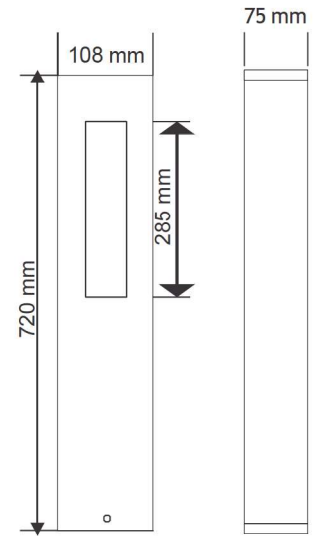
SERIES	LUMINAIRE CONFIGURATION	ITEM CODE	SYSTEM WATTAGE	POLE HEIGHT (mm)	DELIVERED LUMENS	LIGHT BEAM
QUBIKPOLE-SINGLE SIDE	Single Qubik Street Optics	LMPT-0025-740-T4B-00	25	2400	2500	Street T4
QUBIKPOLE-SINGLE SIDE	Single Qubik Forward Asymm.	LMPT-0025-740 - FN-00	25	2400	2500	Asymm FN
QUBIKPOLE-DOUBLE SIDE	Twin Qubik Street Optics	LMPT-0050-740-T4B-00	50	2400	5000	Street T4
QUBIKPOLE-DOUBLE SIDE	Twin Qubik Forward Asymm.	LMPT-0050-740 - FN-00	50	2400	5000	Asymm FN
QUBIKPOLE-DOUBLE SIDE	Single Qubik Street Optics x2	LMPT-0050-740-T4B-00	50	2400	5000	Street T4
QUBIKPOLE-DOUBLE SIDE	Twin Qubik Street Optics x2	LMPT-0100-740-T4B-00	100	2400	10000	Street T4



FLO-I

IP66 IK08

Energy Label A++



LED BOLLARD LIGHT

SPECIFICATION

Housing : Die-cast & extruded aluminium

Light Emission : Two way

LEDs : Power LEDs with high efficacy (>140lm/W), 3000/ 4000/ 5700K, with luminous flux maintenance of 70%(L70 B20) at 50,000 Hrs.

Mounting: Surface pedestal

Diffuser: Sealed toughened glass

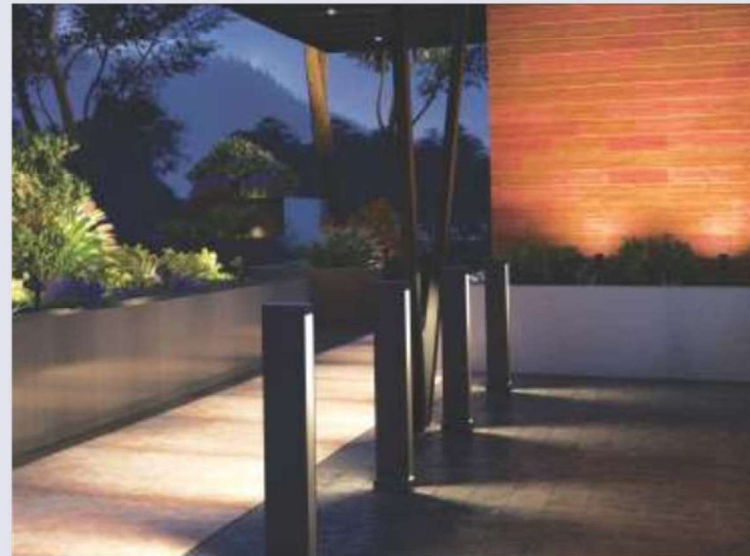
Coating: Polyester resin powder coating, resistant to corrosion and saline environments.

Driver : Integral driver with safety diode to protect the LED module against voltage peaks up to 4KV. P.F > 0.9

Ambient Temperature Zone : -30°C to+50°C

Input Voltage Range : 100V— 280V AC, 50-60 Hz

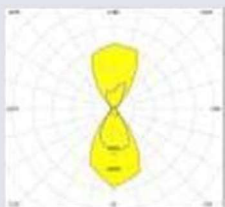
Standards : As per IS10322 (Part5/Sec.3) 2012



Application image for reference purpose only

Technical Specifications

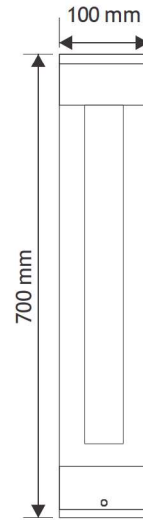
SERIES	ITEM CODE	SYSTEM WATTAGE	INPUT CURRENT	DELIVERED LUMENS	LIGHT BEAM	THD	PF	SURGE PROTECTION	CCT	CRI
FLO-I	LMBL-0010-740-00-00	10	0.046	500	Two way	<10%	0.90	4 KV	4000K	70
FLO-I	LMBL-0010-730-00-00	10	0.046	500	Two way	<10%	0.90	4 KV	3000K	70



FLO-II

IP66 IK08

Energy Label A++



LED BOLLARD LIGHT

SPECIFICATION

Housing : Die-cast & extruded aluminium

Light Emission : Four way

LEDs : Power LEDs with high efficacy (>140lm/W), 3000/4000/5700K, with luminous flux maintenance of 70% (L70 B20) at 50,000 Hrs.

Mounting: Surface pedestal

Diffuser: Sealed toughened glass

Coating: Polyester resin powder coating, resistant to corrosion and saline environments.

Driver : Integral Driver with safety diode to protect the LED module against voltage peaks up to 4KV. P.F > 0.9

Ambient Temperature Zone: -30 °C to +50° C

Input Voltage Range : 100V—280V AC, 50-60 Hz

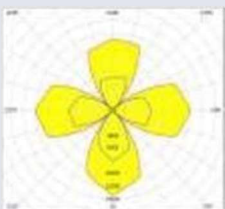
Standards : As per IS10322(Part5/Sec.3) 2012



Application image for reference purpose only

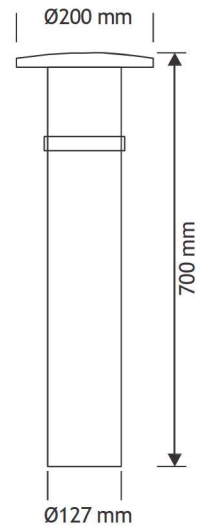
Technical Specifications

SERIES	ITEM CODE	SYSTEM WATTAGE	INPUT CURRENT	DELIVERED LUMENS	LIGHT BEAM	THD	PF	SURGE PROTECTION	CCT	CRI
FLO-II	LMBL-0010-740-00-00	10	0.046	500	Four way	<10%	0.90	4 KV	4000K	70
FLO-II	LMBL-0010-730-00-00	10	0.046	500	Four way	<10%	0.90	4 KV	3000K	70



TOPLED

IP66 IK08



Energy Label **A++**

LED BOLLARD LIGHT

SPECIFICATION

Housing : Extruded aluminium.

Top Cover : Die cast aluminium.

LEDs: Power LEDs with high efficacy(>140lm/W) 3000/4000/5700K, with luminous flux maintenance of 70%(L70 B20) at 50,000 Hrs.

Mounting: Surface pedestal

Optics: Opal diffused 360° Symmetric

Diffuser: Polycarbonate extruded

Coating: Polyester resin powder coating, resistant to corrosion and saline environments.

Driver : Integral driver with safety diode to protect the LED module against voltage peaks up to 4KV. P.F > 0.9

Ambient Temperature Zone : -30 °C to +50° C

Input Voltage Range :100V — 280V AC, 50-60 Hz

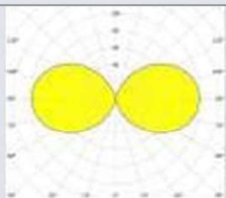
Standards : As per IS 10322 (Part5/Sec.3) 2012



Application image for reference purpose only

Technical Specifications

SERIES	ITEM CODE	SYSTEM WATTAGE	INPUT CURRENT	DELIVERED LUMENS	LIGHT BEAM	THD	PF	SURGE PROTECTION	CCT	CRI
TOP LED	LMBL-0010-730-DIFF-00	10	0.046	500	Diffused	<10%	0.90	4 KV	3000K	70
TOP LED	LMBL-0020-730-DIFF-00	20	0.092	1000	Diffused	<10%	0.90	4 KV	3000K	70





Aeroflood-QUBIK-Spike

IP66 IK08



Energy Label A++



LED ARCHITECTURAL & LANDSCAPE SPOT LIGHT

DESIGN FEATURES

- High pressure die cast aluminium alloy housing
- Polyester powder coating
- Robust, Sleek design with excellent heat dissipation
- 360° Cradle movement for omnidirectional precise focusing
- 3mm thick extra clear toughened glass
- Silicon moulded gaskets for IP66 rating
- All Stainless steel - AISI 304 grade hardware

THERMAL MANAGEMENT

- Generously designed radiator fins in vertical direction to ensure proper Air convection
- Separate integral/Non integral driver compartment for thermal isolation & Not to affect LED compartment during maintenance, provided with Brass PG7 cable gland

LEDs

- High efficacy(>140lm/ W) outdoor illumination grade SMD LEDs, LM 80 Certified.
- Low junction thermal resistance for long life and low lumen depreciation
- Luminous flux maintenance 70%, 50,000 Hrs(L70B20)
- High colour rendering : CRI -70/80/90
- Various CCT : 3000K/4000K/5700K

ELECTRICAL SYSTEM

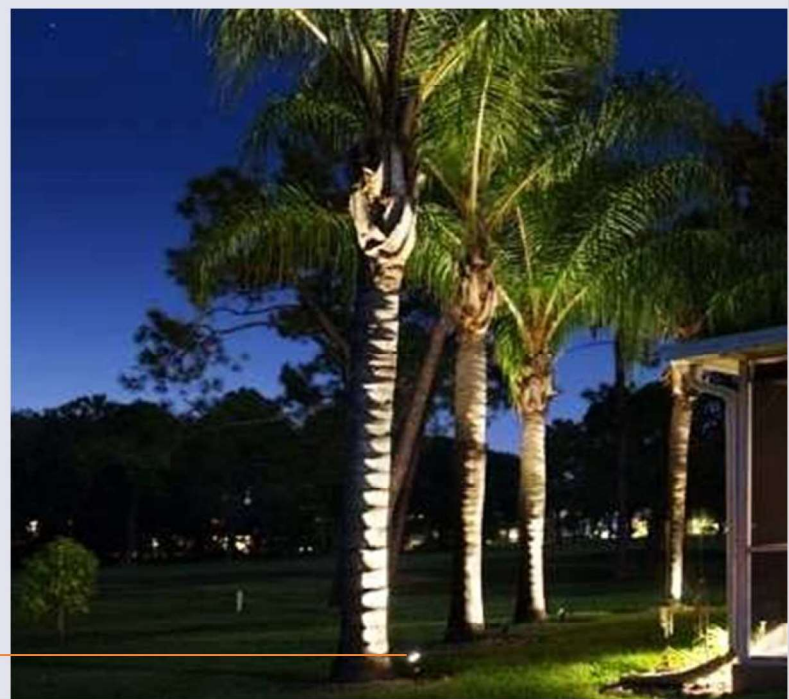
- Outdoor rated >90% Efficiency constant current drivers with over voltage (440V AC)/ Under voltage, Short circuit & open circuit protection 4KV/ 5KV/ 6KV inbuilt surge protection.
- Low current harmonics : THD <10%
- Low flicker : <3%
- Ambient temperature range : -30°C To +50°C

OPTICAL SYSTEM

- Variety of photometric beam options for - Facade Lighting, Area Lighting, Tunnel Lighting.
- Structured on high performance optical grade lenses in PMMA/PC
- Photometric design data for all optics available

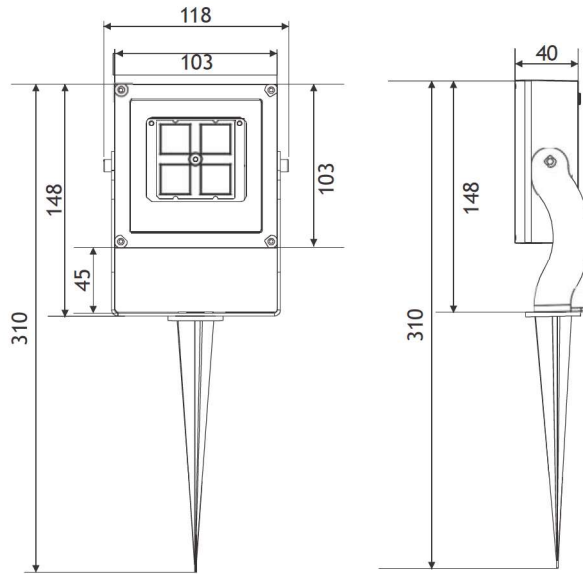
COMPLIANCES - LUMINAIRE

- As Per IS 10322 (Part5/Sec.5) 2012 & 2015 IP66, IK08 as per IEC-EN 62262
- **On Request:** Surface coating resistant to Salt spray tests pursuant to Standard UNIEN ISD 9227.



Aeroflood-QUBIK-Spike

IP66 IK08



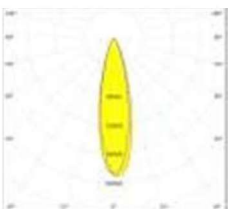
Technical Parameters

Input AC Voltage	: 140 to 277V AC
Frequency	: 50 / 60 Hz
Luminous Efficiency	: >100 Lumens/Watt
CCT (K)	: 3000K / 4000K / 5700K / Single Colour R/G/B/ A
Optics	: Symmetric : 10° / 25° / 60° / 90° Asymmetric : 15°x 45° Elliptical / FN - Forward Asymmetric 45°

Technical Specifications

SERIES	ITEM CODE	SYSTEM WATTAGE	INPUT CURRENT	DELIVERED LUMENS	LIGHT BEAM	THD	PF	SURGE PROTECTION	CCT	CRI
QUBIK-SPIKE	LMFL-0010-740-10-02	10	0.044	1000	Symm10°	<10%	0.95	4 KV	4000K	70
QUBIK-SPIKE	LMFL-0010-740-25-02	10	0.044	1000	Symm 25°	<10%	0.95	4 KV	4000K	70
QUBIK-SPIKE	LMFL-0010-740-60-02	10	0.044	1000	Symm 60°	<10%	0.95	4 KV	4000K	70
QUBIK-SPIKE	LMFL-0010-740-FN-02	10	0.044	1000	AsymmFN	<10%	0.95	4 KV	4000K	70
QUBIK-SPIKE	LMFL-0018-740-33-02	18	0.079	1800	Symm 33°	<10%	0.95	4 KV	4000K	70
QUBIK-SPIKE	LMFL-0018-740-60-02	18	0.079	1800	Symm 60°	<10%	0.95	4 KV	4000K	70
QUBIK-SPIKE	LMFL-0018-740-FN-02	18	0.079	1800	AsymmFN	<10%	0.95	4 KV	4000K	70
QUBIK-SPIKE	LMFL-0018-740-90-02	18	0.079	1800	Symm 90°	<10%	0.95	4 KV	4000K	70

25° - 33° Medium Beam



Grazia-PYGMY-Spike

IP66 IK08



Energy Label A++

LED ARCHITECTURAL & LANDSCAPE SPOT LIGHT

DESIGN FEATURES

- Extruded Aluminium housing with pressure die cast aluminium end caps
- Polyester powder coating Matt black / Natural oxidized aluminium Anodised. Other RAL shades available on request .
- Robust, Sleek design with excellent heat dissipation
- Adjust able SS 316 brackets for mounting and orientation.
- 4mm Thick extra clear Screen printed toughened glass
- Silicon moulded gaskets for IP66 rating
- All Stainless steel-AISI 304 grade hardware.
- Brass PG7 cable gland

THERMAL MANAGEMENT

- Radiator fins along the extrusion length for improved heat dissipation
- Integral / Non integral driver.

LEDs

- Cree/Seoul 3535 Discrete SMD Colour LEDs, LM 80 Certified.
- Low junction thermal resistance for long life and low lumen depreciation
- Luminous flux maintenance 70%, 50,000 Hrs (L70B20)

ELECTRICAL SYSTEM

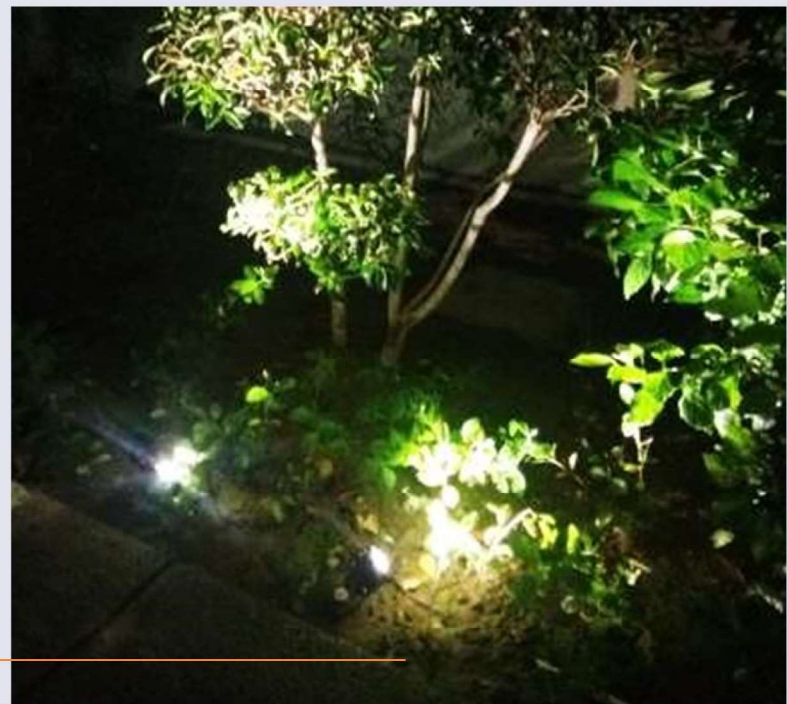
- Outdoor rated >90% efficiency Constant current/Constant voltage drivers integral/ In separate IP66 driver box
- Low current harmonics : THD < 10%
- Low flicker : <3%
- Ambient temperature range : -30°C To +50°C

OPTICAL SYSTEM

- Variety of photometric beam options for - Facade Lighting, Accent and Stage Lighting
- Structured on high performance optical grade lenses in PMMA/PC
- Photometric design data for all optics available

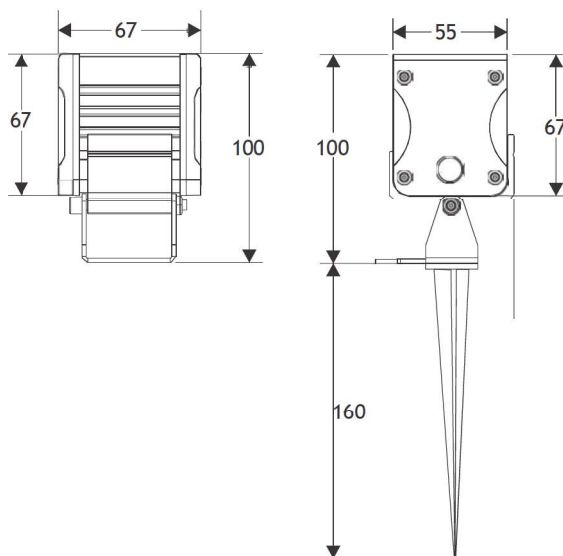
COMPLIANCES - LUMINAIRE

- As Per IS 10322 (Part 5 / Sec.5) 2012 & 2015 IP66, IK08 as per IEC-EN 62262
- **On Request:** Surface coating resistant to Salt spray tests pursuant to Standard UNIEN ISD 9227.



Grazia-PYGMY-Spike

IP66 IK08



Technical Parameters

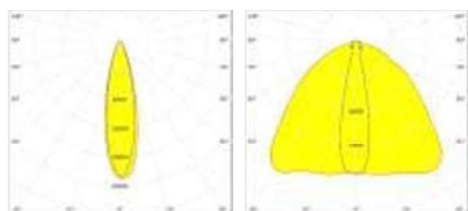
- Input AC Voltage : 140 to 277 VAC
- Frequency : 50 / 60 Hz
- Luminous Efficiency : 80 to 100 Lumens/Watt
- CCT (K) : 3000K / 4000K / 5700K / R GBW / Single Colour R/G/B/ A
- Optics : Symmetric : 3° / 10° / 15° / 5° x 20° / 25° / 10° x 60° / 15° x 45°

Technical Specifications

SERIES	ITEM CODE	SYSTEM WATTAGE	INPUT CURRENT	DELIVERED LUMENS	THD	PF	SURGE PROTECTION	CCT	CRI	IP	DIMENSION (LxWxH)mm
PYGMY-SPIKE	LMLF-0003-730-03-00	3	0.014	240	<20%	0.90	2 KV	3000K	70	66	67x67x100
PYGMY-SPIKE	LMLF-0006-730-25-00	6	0.028	240	<20%	0.90	2 KV	3000K	70	66	67x67x100
PYGMY-SPIKE	LMLF-0006-730-10x60	6	0.028	240	<20%	0.90	2 KV	3000K	70	66	67x67x100
PYGMY-SPIKE	LMLF-0006-730-20x90	6	0.028	240	<20%	0.90	4 KV	3000K	70	66	67x67x100
PYGMY-SPIKE	LMLF-0010-RGBW- 15	10	0.044	240	<20%	0.90	4 KV	NA	NA	66	67x67x100

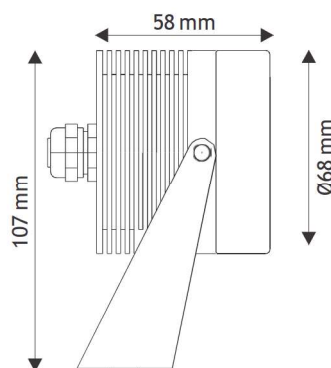
25°

20°x90°



OMNISCUBA-Mini Surface

IP66 IK10



Energy Label **A++**

LED UNDER WATER LIGHT

SPECIFICATION

Housing : Stainless steel AISI 316L Marine grade

Diffuser: Toughened glass extra clear 8 mm thick

LEDs : Power LEDs with high efficacy (>120lm/ W), 3000/ 4000/ 5700K,/ R/G/B with luminous flux maintenance of 70% (L70 B20) at 50,000 Hrs. Mounting:

Adjustable Stainless steel bracket

Driver : Non integral

Optics: 12°/25° Symetric

Ambient Temperature Zone : -30 °C to +50°C

Input Voltage Range : 100V — 280V AC, 50-60 Hz

Cable : 3 Mtrs.Elastomer 3C x 1Sq.mm cable with IP68 connector

Note:

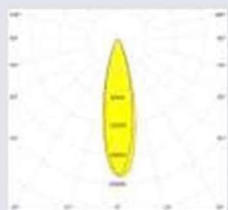
- To be used only for continuous underwater applications up to 1.5 Mtrs. depth
- Driver to be ordered separately



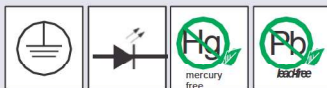
Application image for reference purpose only

Technical Specifications

SERIES	ITEM CODE	SYSTEM WATTAGE	INPUT CURRENT	DELIVERED LUMENS	BEAM	THD	PF	SURGE PROTECTION	CCT	CRI
OMNISCUBA-S	LMUW-006-740-S	6	0.027	430	Symm 25°	<20%	0.90	4 KV	3000K	70
OMNISCUBA-S	LMUW-006-BLUE-S	6	0.027	130	Symm 25°	<20%	0.90	4 KV	BLUE	NA
OMNISCUBA-S	LMUW-007-RGBW-S	7	0.032	175	Symm 25°	<20%	0.90	4 KV	RGBW	NA



25° Spot

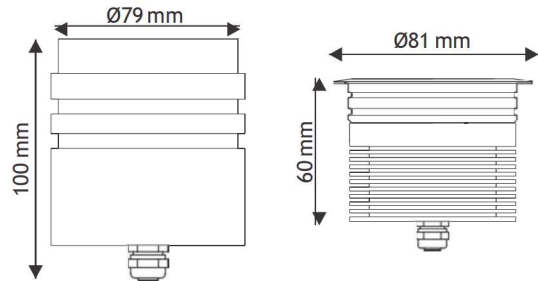


OMNISCUBA-Mini Recess

IP66 IK10



Energy Label A++



LED UNDER WATER LIGHT

SPECIFICATION

Housing : Stainless steel AISI 316L Marine grade

Diffuser: Toughened glass extra clear 8 mm thick

LEDs : Power LEDs with high efficacy (>120lm/ W), 3000/ 4000/ 5700K,/ R/ G/ B with luminous flux maintenance of 70% (L70 B20) at 50,000 Hrs.

Mounting: Wall /Floor recessed in Nylon sleeve

Driver : Non integral

Optics: 12°/25° Symetric

Ambient Temperature Zone : -30 °C to +40°C

Input Voltage Range : 100V — 280V AC, 50-60 Hz

Cable : 3 Mtrs. Elastomer 3C x 1Sq .mm cable with IP68 connector

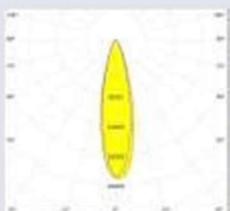
Note:

- To be used only for continues underwater applications up to
- 1.5 Mtrs. depth
- Driver to be ordered separately



Application image for reference purpose only

SERIES	ITEM CODE	SYSTEM WATTAGE	INPUT CURRENT	DELIVERED LUMENS	LIGHT BEAM	THD	PF	SURGE PROTECTION	CCT	CRI
OMNISCUBA-R	LMUW-006-740-R	6	0.027	430	Symm 25°	<20%	0.90	4 KV	3000K	70
OMNISCUBA-R	LMUW-006-BLUE-R	6	0.027	130	Symm 25°	<20%	0.90	4 KV	BLUE	NA
OMNISCUBA-R	LMUW-007-RGBW-R	7	0.032	175	Symm 25°	<20%	0.90	4 KV	RGBW	NA



25° Spot

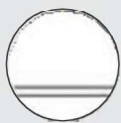


INGRESS PROTECTION (IP XY)

Solids (X)

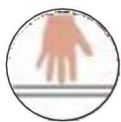
0

No Protection



1

Protection from a large part of the body such as a hand and from solid objects greater than 50mm in diameter.



2

Protection against fingers or other object not greater than 80mm in length and 12mm in diameter



3

Protected from tools and wires greater than 2.5 millimeters.



4

Protected from tools and wires greater than 1mm in width.



5

Protected from limited dust ingress.



6

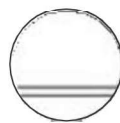
Protected from total dust ingress.



Water (Y)

0

No Protection



1

Protected from condensation and water droplets



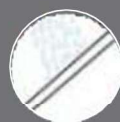
2

Vertically dripping water shall have no harmful effect when the enclosure is tilted at an angle up to 15° from its normal position



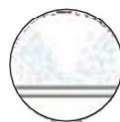
3

Protected from water spray when at an angle up to 60° from vertical



4

Protected from water spray from any direction.



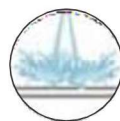
5

Protected from low pressure water jets from any direction



6

Protected from high pressure water jets from any direction



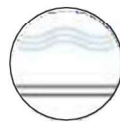
7

Protected against short periods of immersion in water up to 1m depth



8

Protected against long durable periods of immersion in water under pressure



IMPACT PROTECTION (IK XX)

IK Ratings are an international numeric classification to indicate the degrees of protection provided by enclosures for electrical equipment against external mechanical impacts. It provides a means of specifying the capacity of an enclosure to protect its contents from external impacts in accordance with IEC 62262:2002 and IEC 60068-2-75:1997.

IK00 - No Protection

IK01 - Protected against 0.14 joules of impact (the equivalent to the impact of a 0.25kg mass dropped from 56mm above the impacted surface)

IK02 - Protected against 0.2 joules of impact (the equivalent to the impact of a 0.25kg mass dropped from 80mm above the impacted surface)

IK03 - Protected against 0.35 joules of impact (the equivalent to the impact of a 0.2kg mass dropped from 140mm above the impacted surface)

IK04 - Protected against 0.5 joules of impact (the equivalent to the impact of a 0.25kg mass dropped from 200mm above the impacted surface)

IK05 - Protected against 0.7 joules of impact (the equivalent to the impact of a 0.25kg mass dropped from 280mm above the impacted surface)

IK06 - Protected against 1 joules of impact (the equivalent to the impact of a 0.25kg mass dropped from 400mm above the impacted surface)

IK07 - Protected against 2 joules of impact (the equivalent to the impact of a 0.5kg mass dropped from 400mm above the impacted surface)

IK08 - Protected against 5 joules of impact (the equivalent to the impact of a 1.7kg mass dropped from 300mm above the impacted surface)

IK09 - Protected against 10 joules of impact (the equivalent to the impact of a 5kg mass dropped from 200mm above the impacted surface)

IK10 - Protected against 20 joules of impact (the equivalent to the impact of a 5kg mass dropped from 400mm above the impacted surface)



© 2021, La Martini Sarl. Information subject to change without notice. La Martini and all affiliated companies disclaim liability for any injury, damage, direct or indirect loss, consequential or economic loss or any other loss occasioned by the use of, inability to use or reliance on the information contained in this brochure. The La Martini logo, the La Martini name and all other trademarks in this document pertaining to services or products by La Martini or its affiliates and subsidiaries, and are trademarks owned or licensed by La Martini or its affiliates or subsidiaries. Images shown in this brochure are for reference purpose only. Citing our continuous Innovations backed by a strong R&D, the particulars mentioned in this document are subject to change without any further notice.